

CONTRACOR[®]
A COMPRAG BRAND



CATALOGUE #1

CAB-SERIES BLAST CABINETS

CAB-series suction blast cabinets

Professional models, for medium duty long lasting industrial use. Heavy-duty all-welded steel construction. Loading through extra-wide door on each side. Large dimensioned cyclone reclaimers for blast media cleaning. Powerful dust collector for working with heavyweight blast media. Blast cabinet is manufactured in accordance with European CE regulations and fulfills regulations concerning operator safety and filtration of technological air. Industrial use all-in-one blast cabinet includes injection blast system, blast media reclaimer and pulse cleaned cartridge dust collector.

1. Ceiling lighting

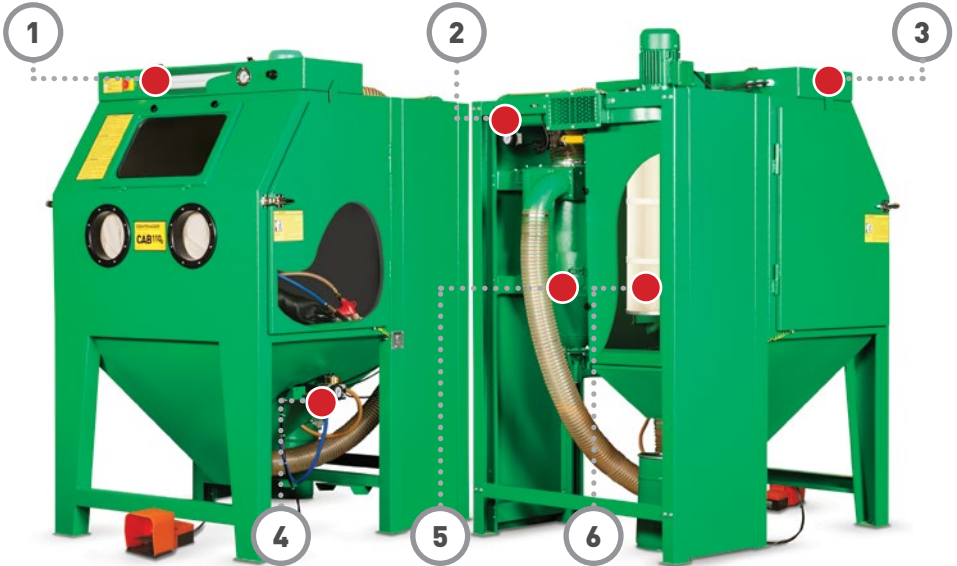
Externally located ceiling dual fluorescent lighting offers excellent view of interior.

2. Pulse-Jet cleaning

Timer operated pulse valve with different timer settings.

3. Door interlock system

Door interlock system interrupts blasting when either door is opened.



4. Pneumatic control

Durable pneumatic controls which offer greater reliability than electric controls that often stick and burn.

5. Cyclone reclaimer

Large dimensioned cyclone reclaimer with good accessible door and easy removable screen.

6. Cartridge filter

Large cartridge filter surface area traps over 99% of dust down to 0.5 micron.

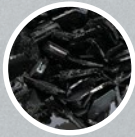
Field of application

Abrasive blasting applications including cleaning, deburring, deflashing, finishing, peening and decorating. Build for long lasting industrial use for operation with fine or light abrasives.

Designed to work with



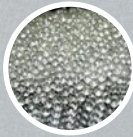
Aluminum oxide



Silicon carbide



Garnet



Glass beads



Steel grit and steel shot

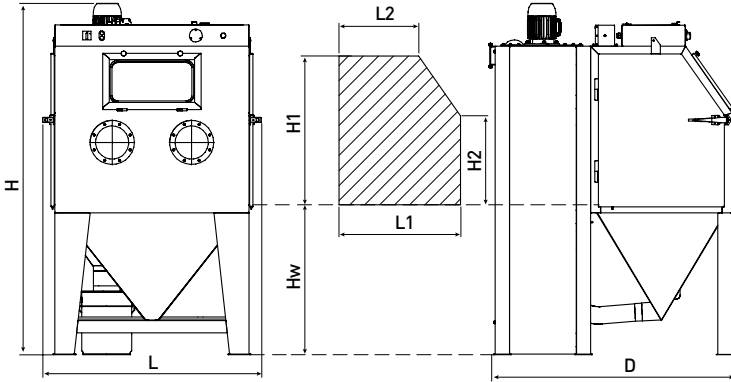


Plastic abrasives

Technical data

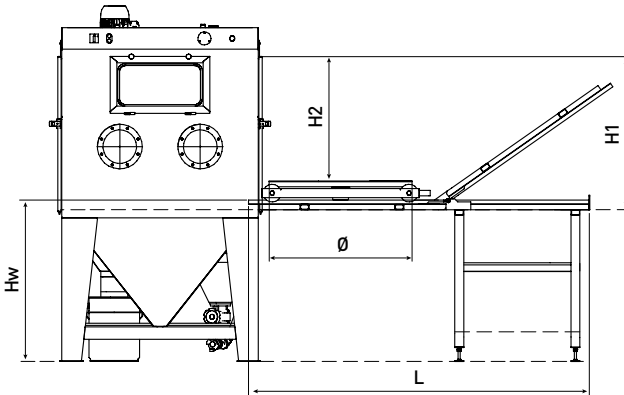
	CAB-110S	CAB-135S
Interior Dimensions D x W x H, mm	1100x800x840	1350x1100x1070
Overall Dimensions D x W x H, mm	1220x1340x1990	1470x1700x2140
Door Opening W x H, mm	690x840	1000x1000
Dust collector, type	DC-1100	DC-1500
Cyclone reclaimer, type	R-350	R-400
Filter area (polyester), m ²	7,5	11,0
Filter cartridge pulse jet cleaned	yes	yes
Electrical connection, kW	1,20 kW, 380-420V~	1,60 kW, 380-420V~

Blast cabinets CAB-S overall dimensions



Model	H (mm)	Hw (mm)	H1 (mm)	H2 (mm)	L (mm)	L1 (mm)	L2 (mm)	D (mm)
CAB-110S	1990	849	840	502	1240	688	450	1390
CAB-135S	2160	847	1000	502	1490	988	645	1770

Turnables with cart and tracks overall dimensions



Model	Ø (mm)	Hw (mm)	H1 (mm)	H2 (mm)	L (mm)
TTM-500-110	500	890 - 934	840	680	1910
TTM-500-135	500	890 - 934	1000	840	2205
TTM-800-135	800	890 - 934	1000	840	2205

CAB-110S, CAB-135S – suction type blast cabinets

STANDARD DELIVERY

All-welded blast cabinet, ready to use assembled with media recovery hoses, abrasive metering valve, transparent media delivery hose, air hose, GX manual blast gun with GXT-8 tungsten carbide nozzle, lined rubber gloves RGS-800, pilot operated control valve, foot valve with remote control hoses, air filter with manual drain valve, cartridge dust filter, timer operated pulse jet cleaning system, safety and disposable glass window assembly.

Technical data

Rubber curtains:	No
Pass-through cabinet doors:	No
Turntable with cart and tracks:	No
Standard load capacity, kg:	350



Order code	Model	Description
10215105	CAB-110S	Suction type blast cabinet, standard delivery
10215106	CAB-135S	Suction type blast cabinet, standard delivery

**CAB-110SD, CAB-135SD
– suction type blast cabinets**

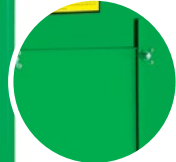
SPECIAL MODEL

Professional models with increased functionality.

Special models SD are equipped with pass-through cabin doors on each side and are fitted with rubber curtains. Pass-through cabinet doors for blast cleaning of long-length parts. Pass size 350 x 350 mm. Equipped with a damper plate and a rubber shield.

Technical data

Rubber curtains:	Yes
Pass-through cabinet doors:	Yes
Pass size, mm	350x350
Turntable with cart and tracks:	No
Standard load capacity, kg:	350



Pass-through cabinet doors

Order code	Model	Description
10215109	CAB-110SD	Suction blast cabinet, special model SD - pass-through cabinet doors and rubber curtains
10215110	CAB-135SD	Suction blast cabinet, special model SD - pass-through cabinet doors and rubber curtains

For the cabinet version with the both features (with pass-through cabinet doors and with mobile turntable), please order the SD/PD version with pass-through cabinet doors and additionally the mobile turntable from the catalog „Spare parts for blasting cabinets“.

CAB-110ST, CAB-135ST – suction type blast cabinets

SPECIAL MODEL

Professional models for medium duty long lasting industrial use.

Heavy or awkward parts are more easily moved inside a blast cabinet with a turntable. The turntable provides safe and convenient blasting access and can increase productivity significantly. Special models ST are equipped with a turntable TTM-500 / TTM-800 with cart and tracks and are fitted with rubber curtains on cabinet internal walls.

Technical data

Rubber curtains:	Yes
Pass-through cabinet doors:	No
Turntable with cart and tracks:	Yes
Turntable type:	TTM-500-110 / TTM-800-135
Turntable diameter, mm:	500 / 800
Cabinet overall dimensions with installed trucks	
D x W x H, mm:	2950x1340x1990 / 3680x1700x2140
Standard load capacity, kg:	350



Order code	Model	Description
10215111	CAB-110ST	Suction blast cabinet, special model ST – turntable with cart and tracks and rubber curtains TTM-500-110
10215112	CAB-135ST	Suction blast cabinet, special model ST – turntable with cart and tracks and rubber curtains TTM-800-135

For the cabinet version with the both features (with pass-through cabinet doors and with mobile turntable), please order the SD/PD version with pass-through cabinet doors and additionally the mobile turntable from the catalog „Spare parts for blasting cabinets”.

CAB-series pressure blast cabinets

Professional models, for medium duty long lasting industrial use. Heavy-duty all-welded steel construction. Loading through extra-wide door on each side. Large dimensioned cyclone reclaimer for blast media cleaning. Powerful dust collector for working with heavyweight blast media. Blast cabinet is manufactured in accordance with European CE regulations and fulfills regulations concerning operator safety and filtration of technological air. Industrial use all-in-one blast cabinet includes direct pressure blast system, blast media reclaimer and pulse cleaned cartridge dust collector.

1. Ceiling lighting

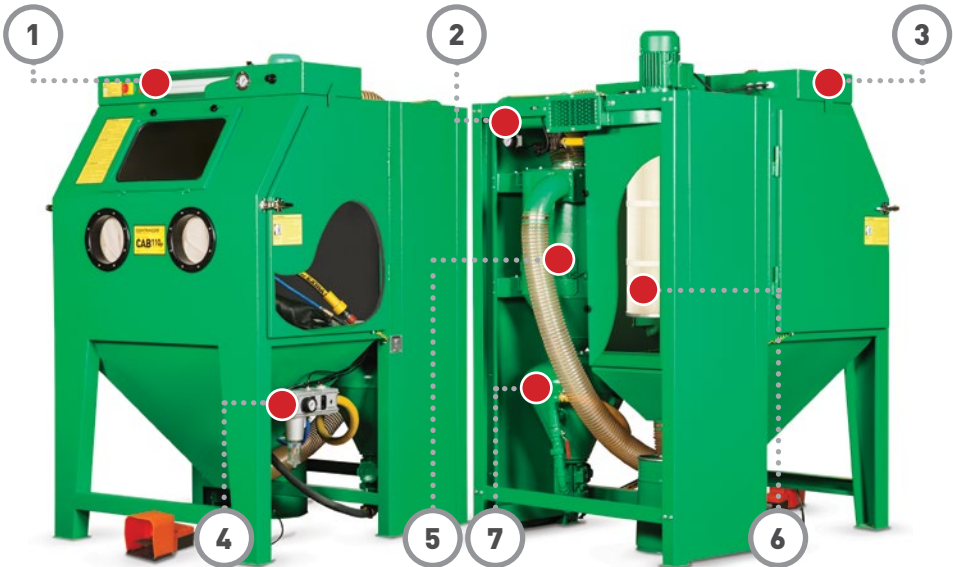
Externally located ceiling dual fluorescent lighting offers excellent view of interior.

2. Pulse-Jet cleaning

Timer operated pulse valve with different timer settings.

3. Door interlock system

Door interlock system interrupts blasting when either door is opened.



4. Pneumatic control

Durable pneumatic controls which offer greater reliability than electric controls that often stick and burn.

5. Cyclone reclaimer

Large dimensioned cyclone reclaimer with good accessible door and easy removable screen.

7. Blast machine

Blast machine 25 or 50 litre, equipped with SGV valve.

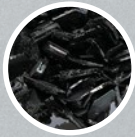
Field of application

Abrasive blasting applications including cleaning, deburring, deflashing, finishing, peening and decorating. Build for long lasting industrial use for high performance operation with all types of abrasives.

Designed to work with



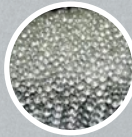
Aluminum oxide



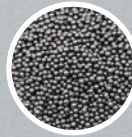
Silicon carbide



Garnet



Glass beads



Steel grit and
steel shot

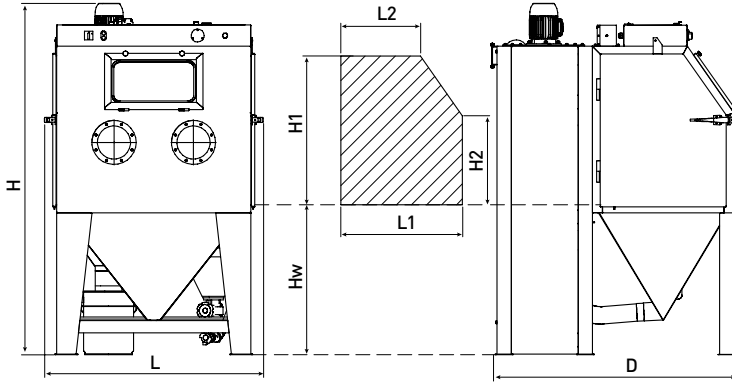


Plastic abrasives

Technical data

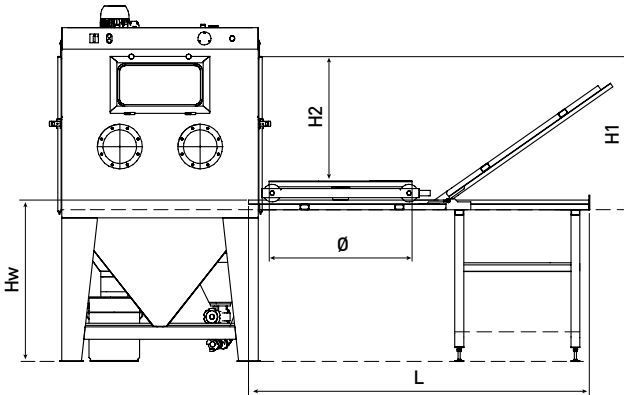
	CAB-110P	CAB-135P
Interior Dimensions D x W x H, mm	1100x800x840	1350x1100x1070
Overall Dimensions D x W x H, mm	1220x1340x1990	1470x1700x2140
Door Opening W x H, mm	690x840	1000x1000
Blast machine type	CBS-25	CBS-25
Dust collector, type	DC-1100	DC-1500
Cyclone reclaimer, type	R-350	R-400
Filter area (polyester), m ²	7,5	11,0
Filter cartridge pulse jet cleaned	yes	yes
Electrical connection, kW	1,20 kW, 380-420V~	1,60 kW, 380-420V~

Blast cabinets CAB-P overall dimensions



Model	H (mm)	Hw (mm)	H1 (mm)	H2 (mm)	L (mm)	L1 (mm)	L2 (mm)	D (mm)
CAB-110P	1990	849	840	502	1240	688	450	1390
CAB-135P	2160	847	1000	502	1490	988	645	1770

Turnables with cart and tracks overall dimensions



Model	Ø (mm)	Hw (mm)	H1 (mm)	H2 (mm)	L (mm)
TTM-500-110	500	890 - 934	840	680	1910
TTM-500-135	500	890 - 934	1000	840	2205
TTM-800-135	800	890 - 934	1000	840	2205

CAB-110P, CAB-135P – pressure type blast cabinets

STANDARD DELIVERY

All-welded blast cabinet, ready to use assembled with 25 or 50 liter blast machine, media recovery hoses, sandblast hose ExtraBlast-19, nylon hose coupling CQP-3/4, nylon nozzle holder NHP 3/4, STC-6,5 tungsten carbide nozzle, lined rubber gloves RGS-800, pilot operated control valve, foot valve with remote control hoses, air filter with manual drain valve, cartridge dust filter, timer operated pulse valve, safety and disposable glass window assembly.

Technical data

Rubber curtains:	No
Pass-through cabinet doors:	No
Turntable with cart and tracks:	No
Standard load capacity, kg:	350



Order code	Model	Description
10215205	CAB-110P	Pressure type blast cabinet, standard delivery
10215206	CAB-135P	Pressure type blast cabinet, standard delivery

CAB-110PD, CAB-135PD – pressure type blast cabinets

SPECIAL MODEL

Professional models with increased functionality.

Special models PD are equipped with pass-through cabinet doors on each side and are fitted with rubber curtains on cabinet internal walls. Pass-through cabinet doors for blast cleaning of long-objects. Pass size 350 x 350 mm. Equipped with a damper plate and a rubber shield.

Technical data

Rubber curtains:	Yes
Pass-through cabinet doors:	Yes
Pass size, mm	350x350
Turntable with cart and tracks:	No
Standard load capacity, kg:	350



Pass-through cabinet doors

Order code	Model	Description
10215209	CAB-110PD	Pressure blast cabinet, special model PD - pass-through cabinet doors and rubber curtains
10215210	CAB-135PD	Pressure blast cabinet, special model PD - pass-through cabinet doors and rubber curtains

For the cabinet version with the both features (with pass-through cabinet doors and with mobile turntable), please order the SD/PD version with pass-through cabinet doors and additionally the mobile turntable from the catalog „Spare parts for blasting cabinets“.

CAB-110PT, CAB-135PT – pressure type blast cabinets

SPECIAL MODEL

Professional models for medium duty long lasting industrial use.

Heavy or awkward parts are more easily moved inside a blast cabinet with a turntable. The turntable provides safe and convenient blasting access and can increase productivity significantly. Special models PT are equipped with a turntable TTM-500 / TTM-800 with cart and tracks and are fitted with rubber curtains on cabinet internal walls.

Technical data

Rubber curtains:	Yes
Pass-through cabinet doors:	No
Turntable with cart and tracks:	Yes
Turntable type:	TTM-500-110 / TTM-800-135
Turntable diameter, mm:	500 / 800
Cabinet overall dimensions with installed trucks	
D x W x H, mm:	2950x1340x1990 / 3680x1700x2140
Standard load capacity, kg:	350



Order code	Model	Description
10215211	CAB-110PT	Pressure blast cabinet, special model PT – turntable with cart and tracks and rubber curtains TTM-500-110
10215212	CAB-135PT	Pressure blast cabinet, special model PT – turntable with cart and tracks and rubber curtains TTM-800-135

For the cabinet version with the both features (with pass-through cabinet doors and with mobile turntable), please order the SD/PD version with pass-through cabinet doors and additionally the mobile turntable from the catalog „Spare parts for blasting cabinets”.

COMPRAG GMBH

www.comprag.com